

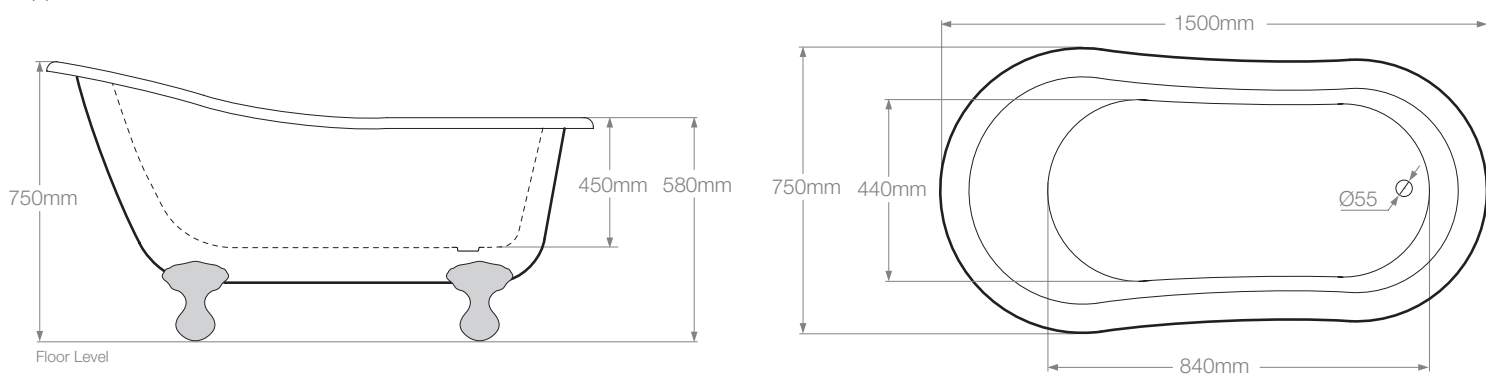
Tampa

L 1500 x W 750 x H 750 mm

Royce Morgan



FT



General Specification

Litres to overflow: 163 litres

Weight: 35kg

Weight (with water): 198kg

Feet: FT

Tap Holes: Can be drilled on request

Lifetime Guarantee (*Terms & Conditions apply*)

Recommended Waste

W1: Exposed Chain Waste

W2: Complete Kit Chain Waste

Accessories

RMFKIT01: Feet Fixing Kit