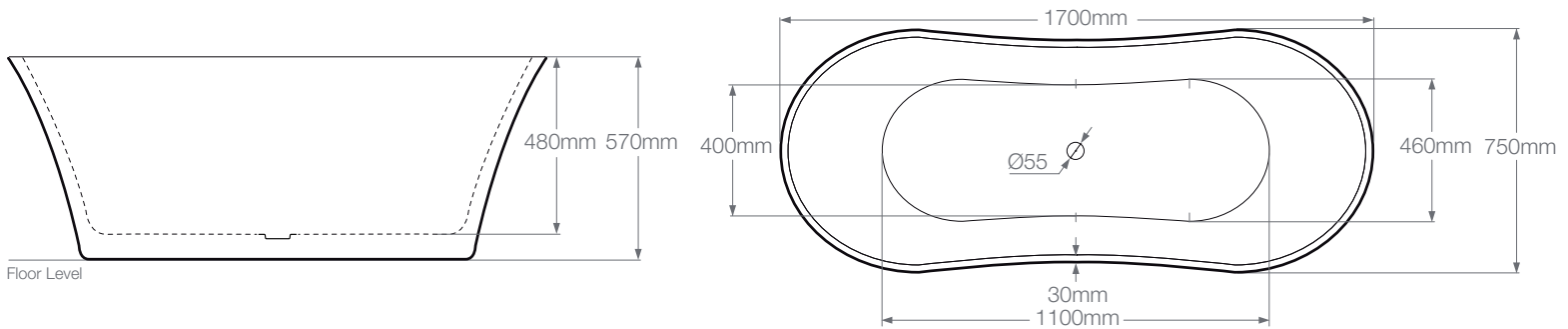


Topaz

L1700 x W750 x H570 mm

Royce Morgan
BLACK



General Specification

Litres to overflow: 230 litres

Weight: 41kg

Weight (with water): 271kg

Tap Holes: No tap holes, suitable for freestanding or wall mounted taps

Lifetime Guarantee (*Terms & Conditions apply*)

Recommended Waste

Pre-fitted Integrated Push Button Waste

Accessories

W11: Over Edge Chrome Pipe Shrouds

W14: Over Edge Chrome Pipe Shrouds
(with Handle for Bath Shower Mixer)

W15: 40mm Flexible Waste Pipe