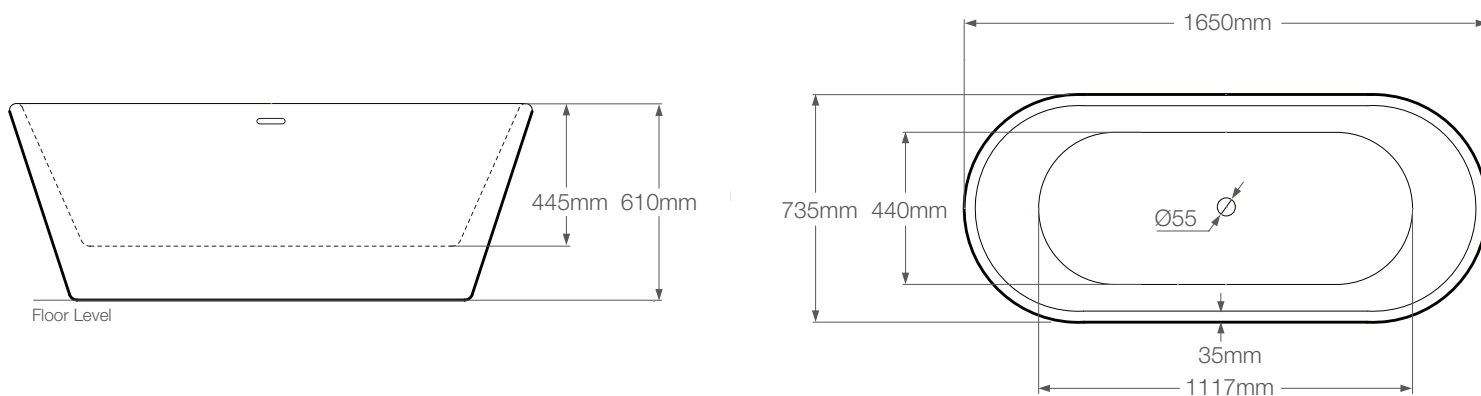


# Sapphire Black

L1650 x W735 x H610 mm

Royce Morgan  
BLACK



## General Specification

Litres to overflow: 180 litres

Weight: 48kg

Weight (with water): 228kg

Tap Holes: No tap holes, suitable for freestanding or wall mounted taps

Lifetime Guarantee (*Terms & Conditions apply*)

## Recommended Waste

Pre-fitted Integrated Push Button Waste

## Accessories

W11: Over Edge Chrome Pipe Shrouds

W14: Over Edge Chrome Pipe Shrouds  
(with Handle for Bath Shower Mixer)

W15: 40mm Flexible Waste Pipe