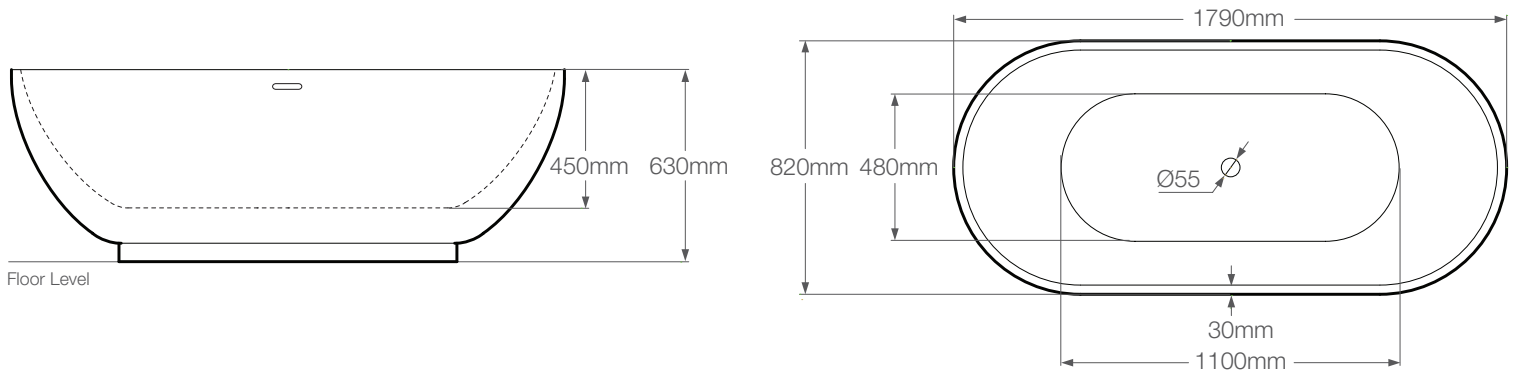


Opal

L1790 x W820 x H630 mm

Royce Morgan
BLACK



General Specification

Litres to overflow: 200 litres

Weight: 50kg

Weight (with water): 250kg

Tap Holes: No tap holes, suitable for freestanding or wall mounted taps

Lifetime Guarantee (*Terms & Conditions apply*)

Recommended Waste

Pre-fitted Integrated Push Button Waste

Accessories

- W11: Over Edge Chrome Pipe Shrouds
- W14: Over Edge Chrome Pipe Shrouds (with Handle for Bath Shower Mixer)
- W15: 40mm Flexible Waste Pipe