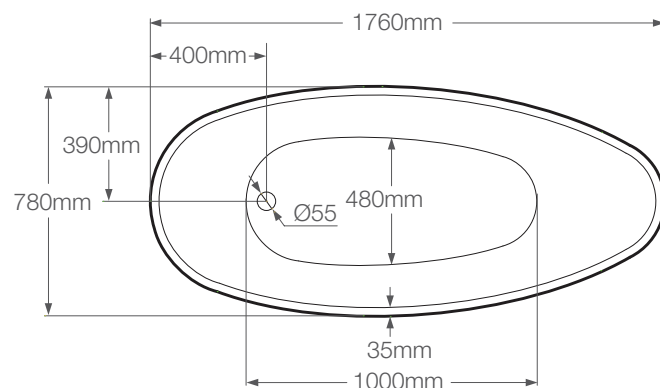
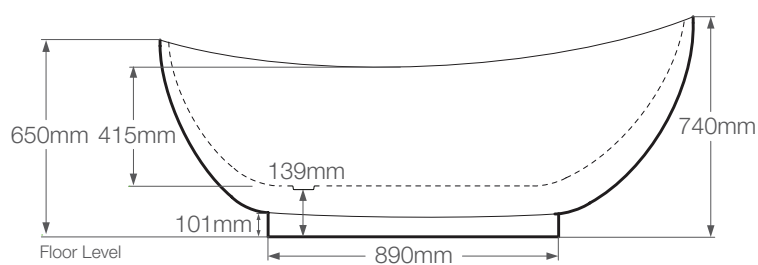


Moonstone

L1760 x W780 x H740 mm

Royce Morgan
BLACK



General Specification

Litres to overflow: 170 litres

Weight: 50kg

Weight (with water): 220kg

Tap Holes: No tap holes, suitable for freestanding or wall mounted taps

Lifetime Guarantee (*Terms & Conditions apply*)

Recommended Waste

Pre-fitted Integrated Push Button Waste

Accessories

W11: Over Edge Chrome Pipe Shrouds

W14: Over Edge Chrome Pipe Shrouds
(with Handle for Bath Shower Mixer)

W15: 40mm Flexible Waste Pipe