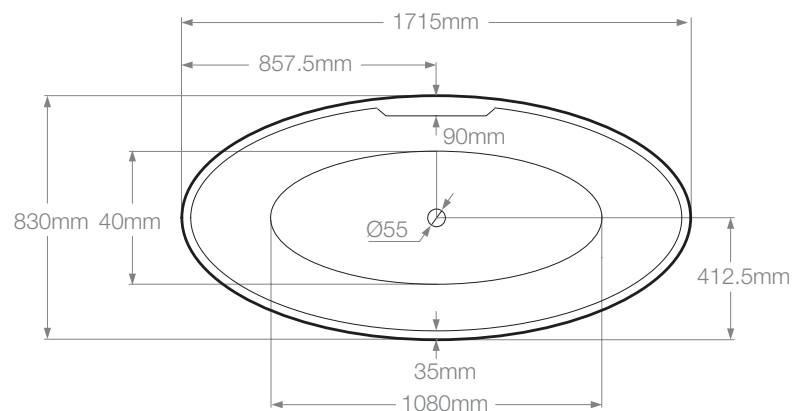
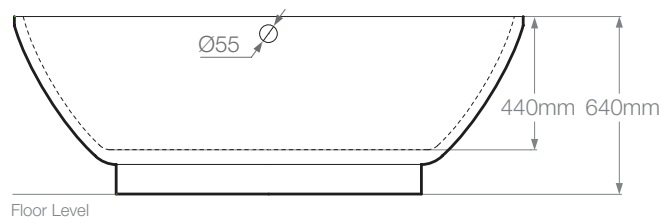


Graphite

L1715 x W830 x H640 mm

Royce Morgan
BLACK



General Specification

Litres to overflow: 180 litres

Weight: 48kg

Weight (with water): 228kg

Tap Holes: No tap holes, suitable for freestanding or wall mounted taps

Lifetime Guarantee (*Terms & Conditions apply*)

Recommended Waste

W4: Concealed Chain Waste

W5: Concealed Pop-up Waste

W13: Concealed Click Clack Waste

Accessories

W15: 40mm Flexible Waste Pipe