

Orlando 1505

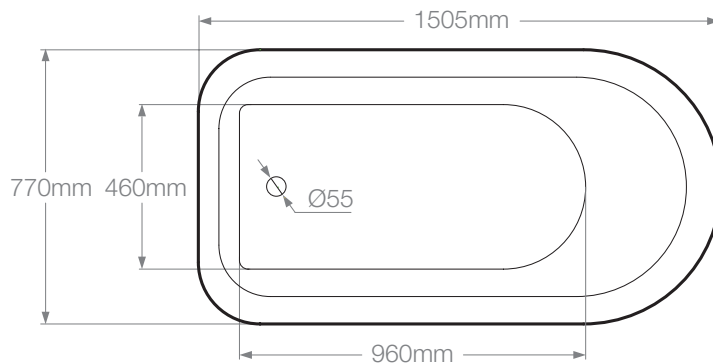
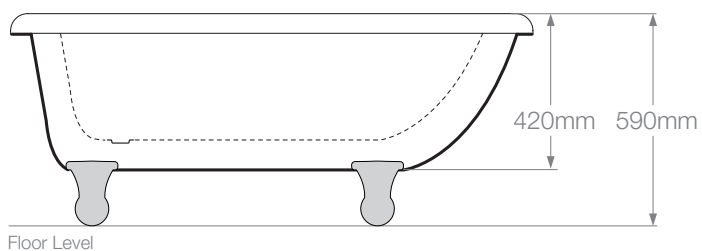
L 1505 x W 770 x H 590 mm

Royce Morgan



FM

FT



General Specification

Litres to overflow: 163 litres

Weight: 34kg

Weight (with water): 197kg

Feet: FM | FT

Tap Holes: Can be drilled on request

Lifetime Guarantee (*Terms & Conditions apply*)

Recommended Waste

W1: Exposed Chain Waste

W2: Complete Kit Chain Waste

W3: Complete Kit Pop-up Waste

W4: Concealed Chain Waste

W6: Exposed Pop-up Waste

Accessories

RMFKIT01: Feet Fixing Kit