

Orlando 1380

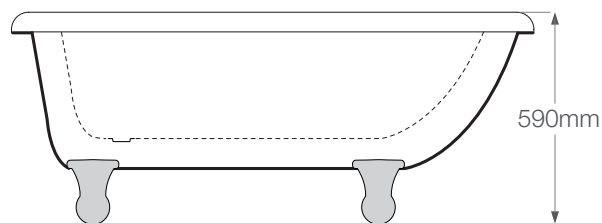
L 1380 x W 750 x H 590 mm

Royce Morgan

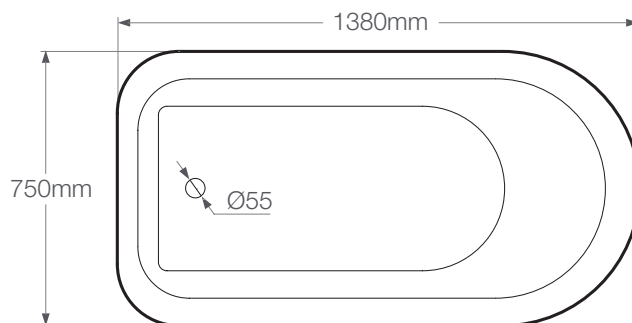


FM

FT



Floor Level



General Specification

Litres to overflow: 157 litres

Weight: 33kg

Weight (with water): 187kg

Feet: FM | FT

Tap Holes: Can be drilled on request

Lifetime Guarantee (*Terms & Conditions apply*)

Recommended Waste

W1: Exposed Chain Waste

W2: Complete Kit Chain Waste

W3: Complete Kit Pop-up Waste

W4: Concealed Chain Waste

W6: Exposed Pop-up Waste

Accessories

RMFKIT01: Feet Fixing Kit