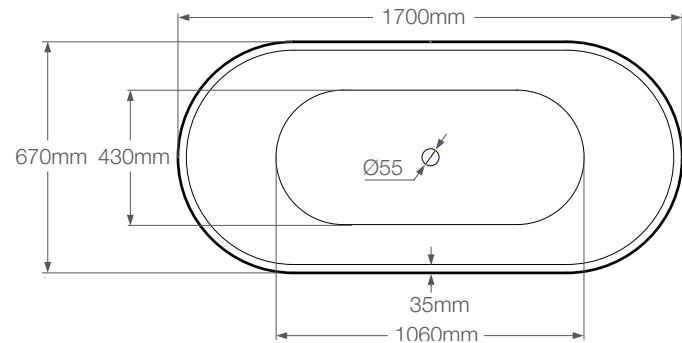
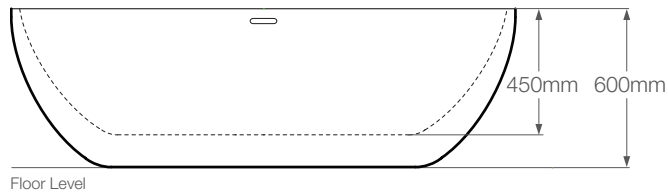


# Onyx

L1700 x W670 x H600 mm

Royce Morgan  
BLACK



## General Specification

Litres to overflow: 180 litres

Weight: 48kg

Weight (with water): 228kg

Tap Holes: No tap holes, suitable for freestanding or wall mounted taps

Lifetime Guarantee (*Terms & Conditions apply*)

## Recommended Waste

Pre-fitted Integrated Push Button Waste

## Accessories

- W11: Over Edge Chrome Pipe Shrouds
- W14: Over Edge Chrome Pipe Shrouds (with Handle for Bath Shower Mixer)
- W15: 40mm Flexible Waste Pipe