

# Oakley

L 1600 x W 720 x H 750 mm

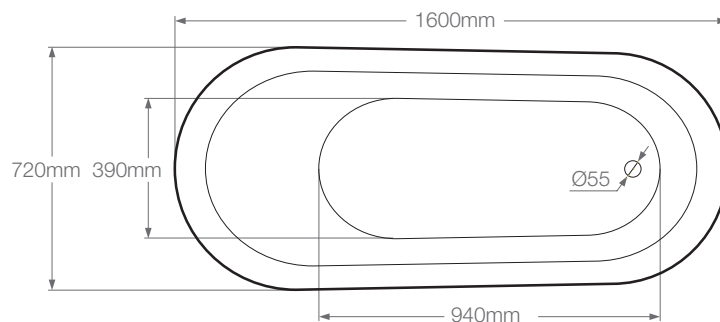
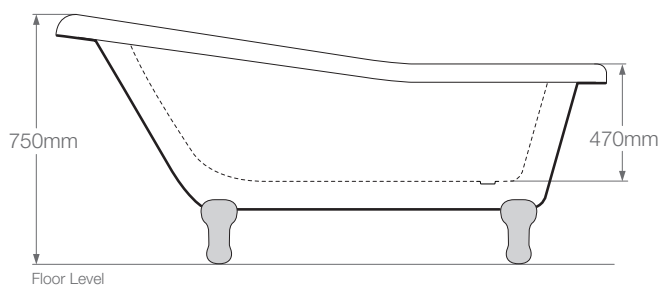
Royce Morgan



FX

FY

FZ



## General Specification

Litres to overflow: 165 litres

Weight: 42kg

Weight (with water): 207kg

Feet: FX | FY | FZ

Tap Holes: Can be drilled on request

Lifetime Guarantee (*Terms & Conditions apply*)

## Recommended Waste

W1: Exposed Chain Waste

W2: Complete Kit Chain Waste

## Accessories

RMFKIT01: Feet Fixing Kit