

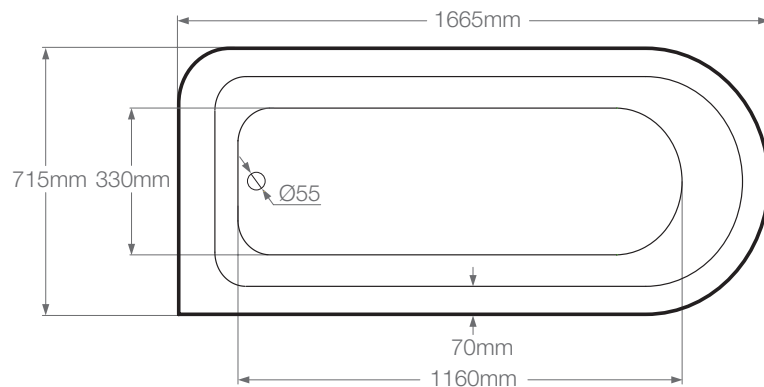
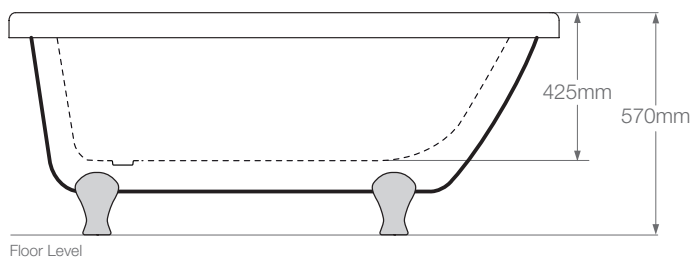
Lambeth Right Corner

L 1665 x W 715 x H 570 mm

Royce Morgan



FX FY FZ



General Specification

Litres to overflow: 180 litres

Weight: 36kg

Weight (with water): 216kg

Feet: FX | FY | FZ

Tap Holes: Can be drilled on request

Lifetime Guarantee (*Terms & Conditions apply*)

Recommended Waste

W1: Exposed Chain Waste

W2: Complete Kit Chain Waste

W3: Complete Kit Pop-up Waste

W4: Concealed Chain Waste

W6: Exposed Pop-up Waste

W7: Extended Concealed Pop-up Waste

Accessories

RMFKIT01: Feet Fixing Kit