

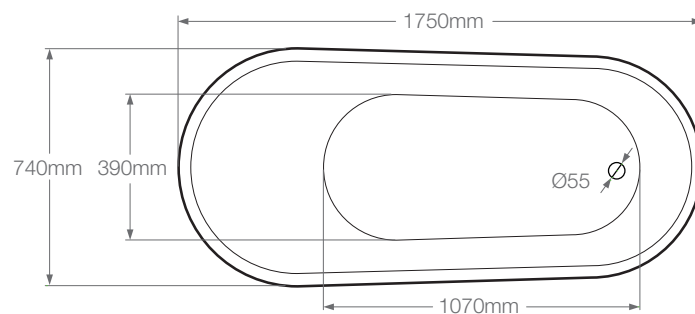
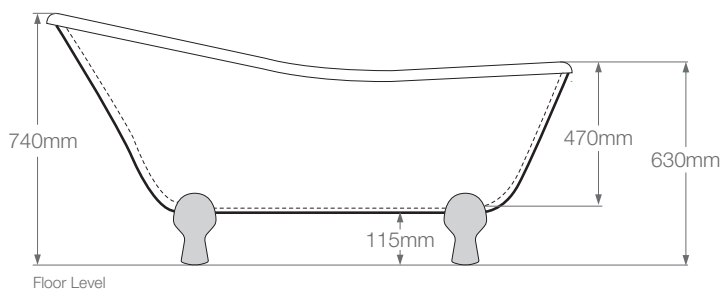
Kingswood 1750

L 1750 x W 740 x H 740 mm

Royce Morgan



FK



General Specification

Litres to overflow: 185 litres

Weight: 42kg

Weight (with water): 227kg

Feet: FK

Tap Holes: No tap holes, suitable for freestanding or wall mounted taps

Lifetime Guarantee (*Terms & Conditions apply*)

Recommended Waste

W9: Flexible Exposed Chain Waste

Accessories

W11: Over Edge Chrome Pipe Shrouds

W14: Over Edge Chrome Pipe Shrouds
(with Handle for Bath Shower Mixer)