

Hilton

L 1715 x W 730 x H 730 mm

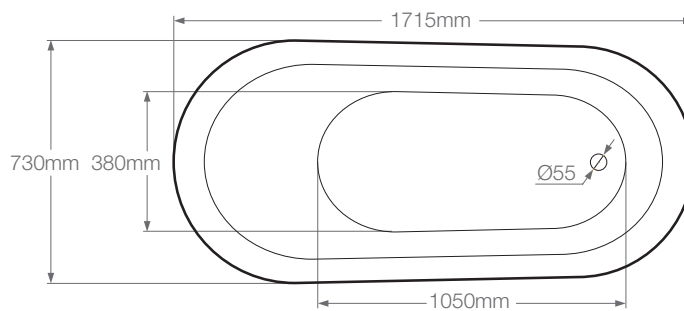
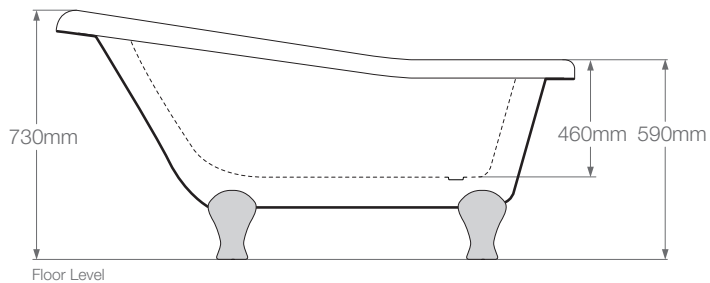
Royce Morgan



FX

FY

FZ



General Specification

Litres to overflow: 180 litres

Weight: 42kg

Weight (with water): 222kg

Feet: FX | FY | FZ

Tap Holes: Can be drilled on request

Lifetime Guarantee (*Terms & Conditions apply*)

Recommended Waste

W1: Exposed Chain Waste

W2: Complete Kit Chain Waste

Accessories

RMFKIT01: Feet Fixing Kit