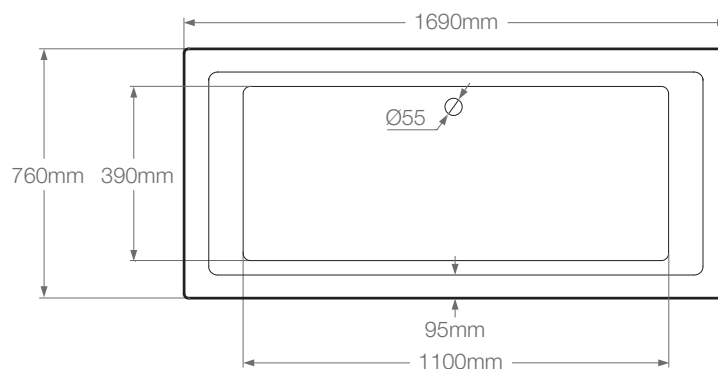
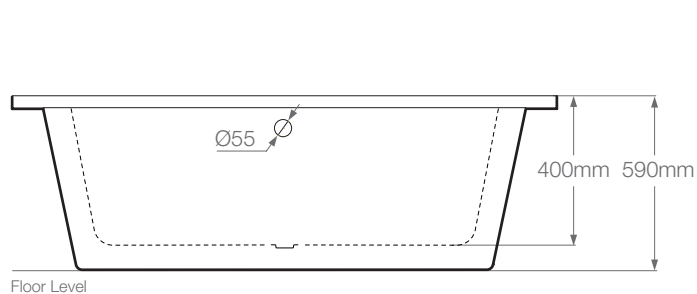


# Hexham

L 1690 x W 760 x H 590 mm

Royce Morgan



## General Specification

Litres to overflow: 185 litres

Weight: 42kg

Weight (with water): 227kg

Tap Holes: No tap holes, suitable for freestanding or wall mounted taps

Lifetime Guarantee (*Terms & Conditions apply*)

## Recommended Waste

W4: Concealed Chain Waste

W5: Concealed Pop-up Waste

W13: Concealed Click Clack Waste

## Accessories

W11: Over Edge Chrome Pipe Shrouds

W14: Over Edge Chrome Pipe Shrouds  
(with Handle for Bath Shower Mixer)