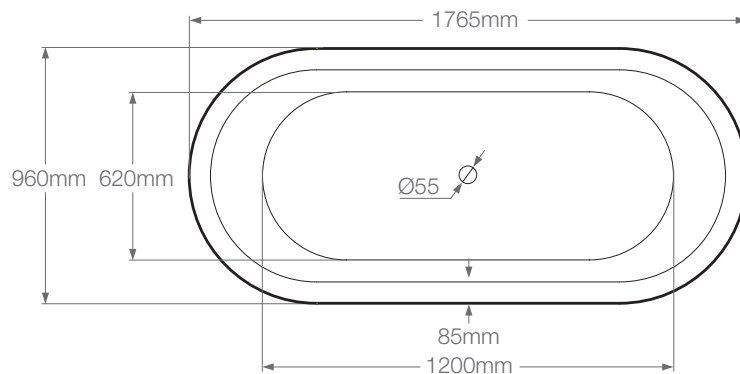
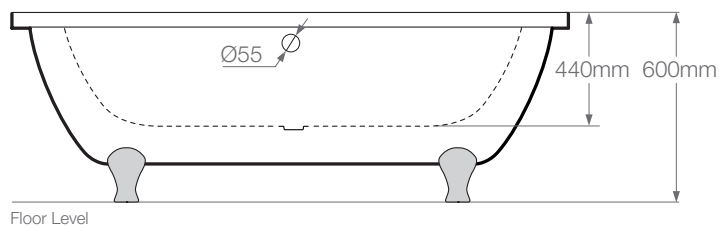


# Hampton

L 1765 x W 960 x H 600 mm

Royce Morgan



## General Specification

Litres to overflow: 280 litres

Weight: 50kg

Weight (with water): 330kg

Feet: FX | FY | FZ

Tap Holes: Can be drilled on request

Lifetime Guarantee (*Terms & Conditions apply*)

## Recommended Waste

W10: Extended Concealed Chain Waste

W12: Extended Exposed Chain Waste

## Accessories

RMFKIT01: Feet Fixing Kit