

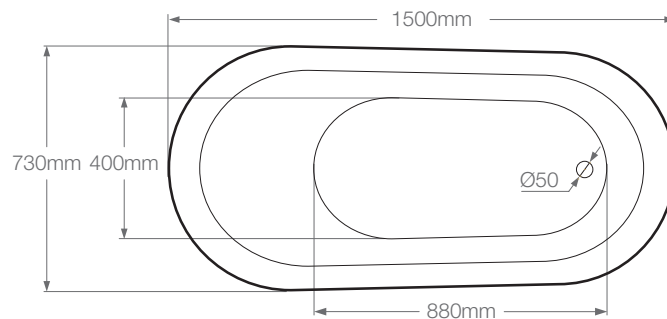
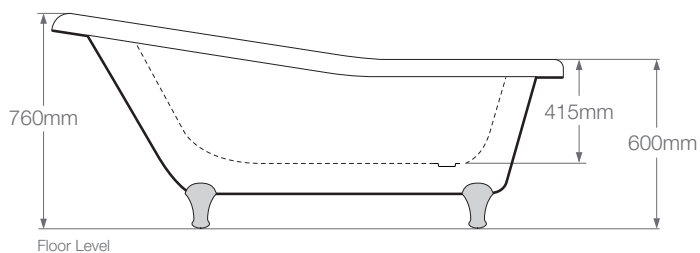
Eton

L 1500 x W 730 x H 760 mm

Royce Morgan



FX FY FZ



General Specification

Litres to overflow: 155 litres

Weight: 39kg

Weight (with water): 194kg

Feet: FX | FY | FZ

Tap Holes: Can be drilled on request

Lifetime Guarantee (*Terms & Conditions apply*)

Recommended Waste

W1: Exposed Chain Waste

W2: Complete Kit Chain Waste

Accessories

RMFKIT01: Feet Fixing Kit