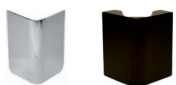


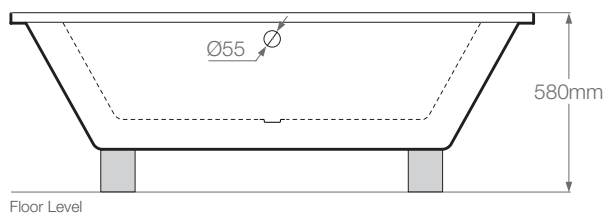
Clarence 1490

L 1490 x W 700 x H 580 mm

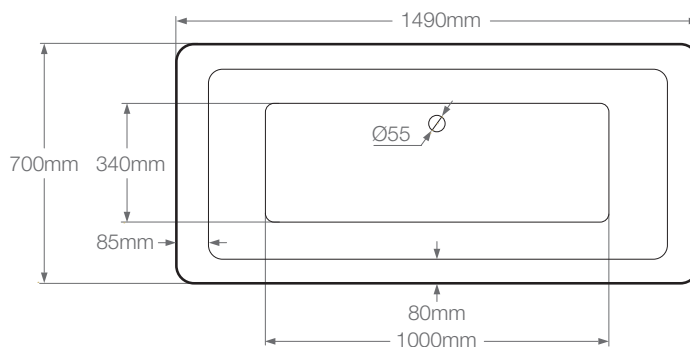
Royce Morgan



Chrome | Dark Oak



Floor Level



General Specification

Litres to overflow: 175 litres

Weight: 30kg

Weight (with water): 205kg

Feet: Chrome | Dark Oak (Wenge)

Tap Holes: Can be drilled on request

Lifetime Guarantee (*Terms & Conditions apply*)

Recommended Waste

W1: Exposed Chain Waste

W2: Complete Kit Chain Waste

W3: Complete Kit Pop-up Waste

W4: Concealed Chain Waste

W5: Concealed Pop-up Waste

W6: Exposed Pop-up Waste

W13: Concealed Click Clack Waste

Accessories

RMFKIT01: Feet Fixing Kit

W11: Over Edge Chrome Pipe Shrouds

W14: Over Edge Chrome Pipe Shrouds

(with Handle for Bath Shower Mixer)