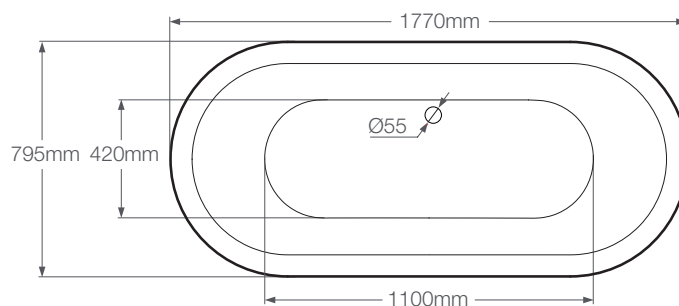
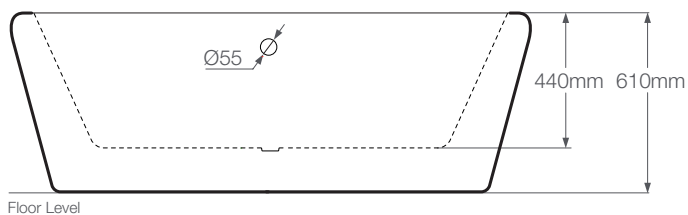


# Bamburgh

L 1770 x W 795 x H 610 mm

Royce Morgan



## General Specification

Litres to overflow: 195 litres

Weight: 41kg

Weight (with water): 236kg

Tap Holes: No tap holes, suitable for freestanding or wall mounted taps

Lifetime Guarantee (*Terms & Conditions apply*)

## Recommended Waste

W4: Concealed Chain Waste

W5: Concealed Pop-up Waste

W13: Concealed Click Clack Waste

## Accessories

W11: Over Edge Chrome Pipe Shrouds

W14: Over Edge Chrome Pipe Shrouds  
(with Handle for Bath Shower Mixer)

W15: 40mm Flexible Waste Pipe

*Please Note: This is a two piece handcrafted bath, there may be a visible line on close inspection.*

**Please Note:** We strongly recommend that you use a suitably qualified installer. We cannot accept responsibility for incorrect installation.  
RM2012 - N.B Dimensions may vary due to the handmade construction of the baths.

[www.roycemorgan.co.uk](http://www.roycemorgan.co.uk)